

# INSTRUCTION MANUAL

67097c

Read all the instruction carefully before you use the appliance and keep it for future use.



**MARKSMAN**  
QUALITY TOOLS

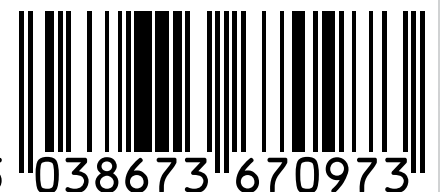
## 135W SANDER 90X187MM



**230V~50Hz**

**135W - 11000RPM**

**3 AMP fuse (max) must be fitted to  
plug attached to this cable.**



5 038673 670973

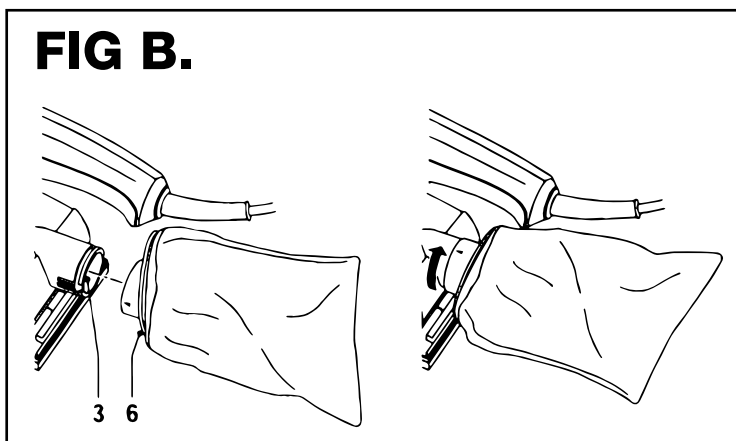
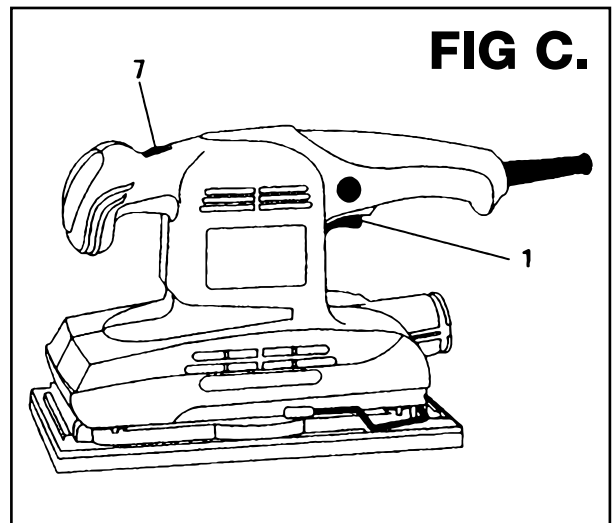
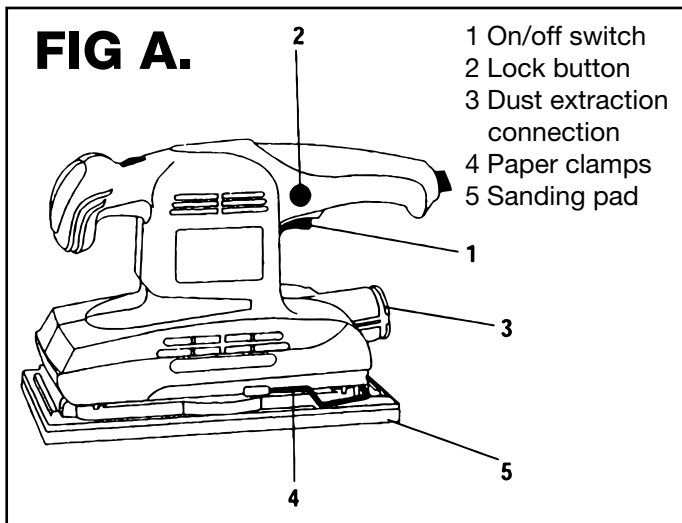


MARKSMAN B20 3BT UK

## IMPORTANT SAFEGUARDS

Please read these operating instructions before using the tool for the first time and keep them with the tool at all times.

### Overview



Technical Data	67097c
Voltage/Frequency:	230V- 50Hz
Input power:	135w
No-load speed:	11000/min <sup>-1</sup>
Orbits	23000/min <sup>-1</sup>
Sanding Surface	90 x 187

The following symbols are used throughout this manual:



Denotes risk of personal injury or damage to the tool.

### ADDITIONAL SAFETY INSTRUCTIONS FOR SANDERS

- Observe the applicable regulations when sanding painted surfaces.
- Whenever possible, use a vacuum extractor for dust collection.
- Remove dust and other waste matter in an environmentally safe way.
- Take special care when sanding lead based paint:
- All persons entering the work area, must wear a mask specially designed for protection against lead paint dust and fumes.
- Children and pregnant women must not enter the work area.
- Do not eat, drink or smoke in the work area .

## ELECTRICAL SAFETY



Always check that the power supply corresponds to the voltage on the rating plate.

**Your finishing sander has been designed for sanding applications.**

### FITTING SANDING SHEETS (FIG. A)

- Open the paper clamps (4).
- Take sanding paper of the required grain size and place it on the sanding pad (5). Make sure that the perforation in the paper correspond with those on the sanding pad.
- Fold the sanding paper at both ends around the edges of the sanding pad.
- Close the paper clamps one by one. Make sure that the ends of the sanding paper are clamped.



The sanding paper must be fitted firmly on the sanding pad and should not come loose.

### USING THE DUST EXTRACTOR CONNECTION (FIG. B)

The dust extraction connector (3) together with an external vacuum cleaner takes care of the dust extraction of the working surface.

If you want to use the dust bag...

- Slide the dust bag (6) on to the connector (3).
- Regularly empty the dust bag to ensure optimum dust extraction.

### SWITCHING ON AND OFF (FIG. A)

- To switch on the machine press the on/off switch (1).
- To switch off the machine, release the on/off switch (1).
- To switch the machine to continuous mode, you keep the on/off switch (1) fully pressed and simultaneously press the lock button (2). And subsequently release the on/off switch.
- To switch off continuous mode, press the on/off switch (1) again.



Never use the machine for sanding magnesium work-pieces.

**Warning: when working with electrical devices the following prevention and safety instructions are to be observed to avoid fires, electric shocks and physical injuries!**

#### For safe working:

- Keep the working area in order.
- Disorder in the working area can give rise to dangers of accidents! Pay attention to the ambient conditions.
- Do not leave electric tools under the rain.
- Do not use these in humid or wet surroundings.

- Make sure that there is enough light! Make sure that the working area is visible at a glance!
- Do not use electric tools in areas subject to the risk of fires! Protect yourself against electric shocks.
- Avoid coming into contact with earth parts (e.g. pipes, radiators, stoves, refrigerators).
- In case of extreme application conditions (e.g. high humidity, presence of metal particles, etc.) the electrical safety of the device can be improved by connecting an isolation transformer or a fault current circuit breaker.
- Keep children away.
- Do not let other people touch the tool or the cable.
- Keep other people out of the working area! Make sure that the tool is stored . safely.
- Unused electric tools are to be kept in a dry, secure place, out of the reach of children.
- Do not overload the electric tool! It works better and safer within the indicated capacity range! Use the right electric tool.
- Do not use weak tools or adapters for heavy jobs. Do not use tools for purposes or jobs for which these are not intended. For example, hand circular saws are not be used to cut trees or branches. Always wear suitable working cloths.
- Do not wear baggy cloths or jewellery! Risk of being caught by moving parts.
- When working outside, it is advisable to wear rubber gloves and skid-proof shoes.
- If you have long hair, wear a hairnet! Use protective goggles.
- Always wear a breathing mask during jobs producing dust! Connect the vacuum system (if available).
- If devices for the connection of vacuum and collection systems are available, make sure that these are connected and used correctly.
- Do not tamper with the cable.
- Do not carry the tool by the cable and do not use it to pull the plug out of the socket.
- Protect the cable against heat sources, oil and sharp edges! Secure the tool.
- Use chucking devices or a vise to keep the tool still! The tool can thus be held in place more safely than by hand and the tool can be used with both hands.
- Avoid unusual body postures! Always stand firmly in place and keep your balance! Always keep the tool in good order.
- Always keep tools sharp and clean to work correctly and safely.
- Follow the maintenance and tool change instructions.
- Check the plug and cable on a regular basis and have a qualified technician change these in case of damage.
- Check the extension cable on a regular basis and replace it if damaged.
- Remove the plug out from the socket! After use, before maintenance and when changing accessories such as saw blades, drills cutters, etc.! Do not leave protruding tool keys.
- Make sure before turning on the tool that the key or setting gauge is removed.
- Avoid the accidental starting of the tool.
- Never carry an electric tool connected to the power mains with your finger on the switch.
- Make sure that the switch is off when connecting to the mains! If using extension cable outdoors: Use only certified and duly marked extension cables outdoors.
- Always be careful! Pay attention to your work! Proceed carefully. Do not use the tool if you are not concentrated.

- Check the tool for damages.
- Before using the tool the next time check that the protection devices or slightly damaged parts are in good working conditions! Check whether the moving parts function correctly, that these are not jammed or whether any parts are damaged.
- All the parts to be correctly mounted and meet all the requirements for the proper functioning of the electric tool.
- Damaged protection devices and parts are to be repaired or changed by a qualified technician provided that the operating instructions do not specify otherwise.
- Damaged switches are to be replaced in a customer service shop! Do not use electric tools that cannot be switched on or off.

## **WARNING!**

- For your own safety always use only the accessories and attachments specified in the operating instructions or recommended or specified by the tool manufacturer!
- The use of accessories and attachments other than those specified in the operating instructions can cause injuries! .
- Always have your tool repaired by certified technicians!
- This tool meets the relevant safety requirements!
- Repairs are to be carried out only by qualified technicians with original spare parts to avoid the risk of injuries to the user caused by improper repairs!
- Hearing protection: In case of a sound pressure greater than 85.0 dB(A) wear hearing protection to avoid damage to your hearing!

## **Special Safety Instructions**

- Do not use the machine without the protective cover! Ensure that this is fitted correctly!
- Check whether the mounting flanges and the disk have been inserted correctly and are not damaged'
- Ensure that the speed of the machine is high enough for the accessories. Allow a newly mounted abrasive wheel to run without a load for at least thirty seconds! Please keep the safety instructions in a safe place!
- Please ensure that the voltage of the mains power supply corresponds to that stated on the type plate. The tool is equipped with a three pin plug!
- Only use a suitable extension cable when this is absolutely necessary! The use of an unsuitable extension cable carries with it the danger of fire or an electric shock! If an extension cable has to be used. ensure that it is correctly wired and in good condition!
- Your machine is double insulated. This means that two completely independent types of insulation prevent you from coming into contact with live metal parts. This measure represents a high degree of protection against an electric shock.
- When working with this machine it is advisable to use ear protection!

push the switch down. It will then jump back in its original position.

**Cleaning and Care** The machine does not require any special maintenance. Regularly clean the ventilation slots.

- Before cleaning the machine I remove the mains plug from the socket and turn the on and off switch (1) to position (0) !
- For cleaning purposes, only use a slightly damp but not wet cloth!
- Do not use any abrasive additives (petrol, turpentine etc) as these may damage the plastic housing!
- Ensure that no moisture is allowed to get inside the machine, After cleaning, wipe the machine with a dry cloth!

## **SAFETY INSTRUCTIONS**

**Warning!** When using electric tools, basic safety precautions should always be followed to reduce the risk of fire, electric shock and personal injury, including the following. Read all these instructions before attempting to operate this product and save these instructions.

### **For safe operation:**

- 01. Keep work area clean** - Cluttered areas and benches invite injuries.
- 02. Consider work area environment** - Don't expose power tools to rain. Don't use power tools in damp or wet locations. Keep work area well lit. Don't use power tools in presence of flammable liquids or gases.
- 03. Guard against electric shock** - Prevent body contact with earth surfaces (e.g. pipes, radiators, ranges refrigerators)
- 04. Keep children away** - Do not let visitors contact tool or extension cord. All visitors should be kept away from work area.
- 05. Store idle Tools** - When not in use, tools should be stored in dry, high, or locked-up place, out of the reach of children.
- 06. Don't force tool** - It will do the job better and safer at the rate for which it was intended.
- 07. Use the right tool** - Don't force small tools or attachments to do the job of heavy duty tool. Don't use tools for purposes not intended for example, don't use circular saw for cutting tree limbs or logs.
- 08. Dress properly** - Do not wear loose clothing or jewellery. They can be caught in moving parts. Rubber gloves and nonskid footwear are recommended when working outdoors. Wear protective hair covering to contain long hair.
- 09. Use safety glasses** - Also use face or dust mask if cutting operation is dusty.
- 10. Do not abuse the cord** - Never Carry tool by cord or yank it to disconnect it from receptacle, Keep cord from heat, oil and sharp edges.
- 11. Secure work** - Use clamps or a vice to hold work, it's safer than using your hand and it frees both hands to operate tool.
- 12. Do not overreach** - Keep proper footing and balance at all times.
- 13. Maintain tools with care** - Keep tools sharp and clean for better and safer performance. Follow instructions for lubricating and changing accessories. Inspect tool cords periodically and if damaged, have repaired by authorised service facility. Inspect extension cords periodically and replace if damaged. Keep handles dry, clean and free from oil and grease.
- 14. Disconnect tools** - When not in use, before servicing, and when changing accessories such as blades, bits and cutters.
- 15. Remove adjusting keys and wrenches** - Form the habit of checking to see that keys and adjusting wrenches are removed from tool before turning it on.
- 16. Avoid unintentional starting** - Don't Carry plugged-in tool with finger on switch. Be sure switch is off when plugging in.
- 17. Outdoor use extension cords** - When tool is used outdoors, use only extension cords intended for use outdoors and so marked.
- 18. Stay alert** - Watch what you are doing, Use common sense. Do not operate tool when you are tired.
- 19. Check damaged parts** - Before further use of the tool, a guard or other part that is damaged should be carefully checked to determine that it will operate properly and perform its intended function. Check for alignment of moving parts, binding of moving parts, breakage of

parts, mounting, and any other conditions that may affect its operation.

- A guard or other part that is damaged should be properly repaired or replaced by an authorised service centre unless otherwise indicated elsewhere in this instruction manual. Have defective switches replaced by an authorised service centre. Do not use tool if switch does not turn it on and off.

**20. Warning** - The use of any other accessory or attachment other than that recommended in this operating instruction might present a risk of personal injury.

**21. Have your tool repaired by an expert** - This electric appliance is in accordance with the relevant safety rules. Only experts may carry out repairing of electric appliances otherwise it may cause considerable danger for the user.

**22. connect the dust extraction device** - Wherever there are facilities for fitting a dust extraction system, make sure it is connected and used.

**23. Noise level** - The noise level of this power tool is measured according to IEC 59 co 11, IEC 704, DIN 45635 Part 21, NFS 31081 (84/537IEWG). Noise level at work area can exceed 85 dB (A). In that case operators should protect themselves against damage to hearing - wear ear defenders.

**WARNING:**

**THIS PRODUCT OPERATES AT 230 VOLT AC SINGLE PHASE MAINS VOLTAGE.  
READ ALL THE SAFETY INSTRUCTIONS BEFORE USING THE MACHINERY.  
OBSERVE ALL THE LOCAL SAFETY REGULATIONS.**

This product is "CE" marked and complies with all the relevant European CE directives for LVD, EMC and Machinery safety.

# UK PLUG REWIRING

Your appliance operates on 230-240V-50Hz AC Mains and comes fitted with a 3-pin BSI Approved plug, so that it is ready for use by simply plugging into AC Mains. Should you need to change or refit a plug, proceed as follows:

## IMPORTANT:

The wires in the mains lead are coloured in accordance with the following code:

BLUE : NEUTRAL (N)

Brown or RED : LIVE (L)

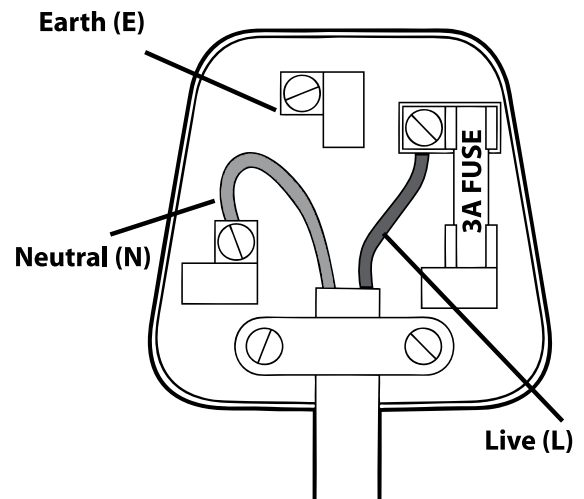
As the colours of the wires in the mains lead of this appliance may not correspond with the coloured markings identifying the terminals in you plug, proceed as follows:

The wire which is coloured BLUE must be connected to the terminal which is marked with the letter "N" or coloured BLACK.

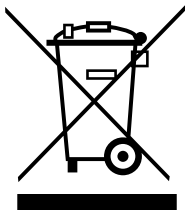
The wire which is coloured BROWN must be connected to the terminal which is marked with the letter "L" or coloured RED.

Always ensure that the Mains Cord is located into the Plug through the Cord Guard or Cable Clamp, and that the Cord Guard screws are lightened to clamp the Cord (outer sheath and inner coloured wires) in position in the Plug. Make sure the Plug top is also fitted securely.

This appliance must be protected by a 3-amp fuse in a 3-amp type (BS1363) plug. Should you need to replace the fuse, use only an ASTA approved BS 1362 fuse.



## CORRECT DISPOSAL OF THIS PRODUCT



This marking indicates that this product should not be disposed with other household wastes throughout the EU. To prevent possible harm to the environment or human health from uncontrolled waste disposal, recycle it responsibly to promote the sustainable reuse of material resources. To return your used device, please use the return and collection systems or contact the retailer where the product was purchased. They can take this product for environmental safe recycling.

# 135W SANDER 90X187MM



MARKSMAN B20 3BT UK

